



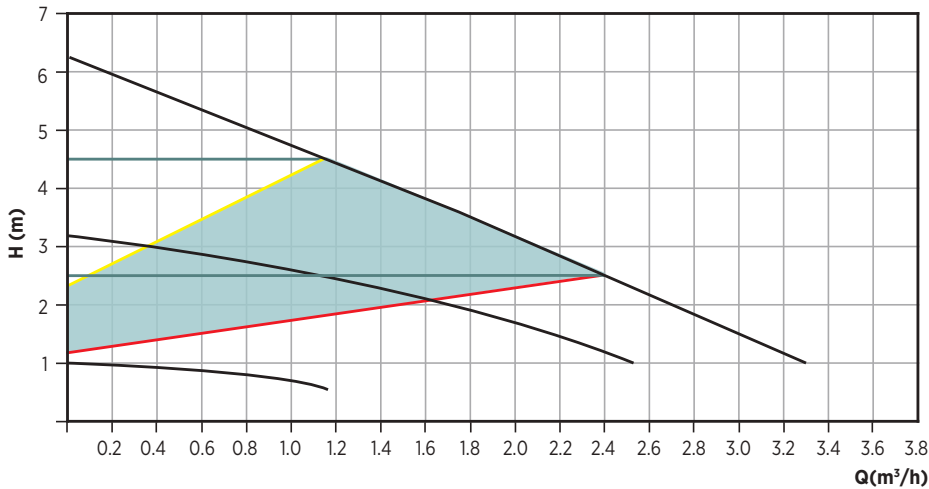
EEI ≤ 0.23
Compliant with ecodesign - ErP
2009/125/EC Directive

Frequency Controlled Circulation Pump ECP Series



FREQUENCY CONTROLLED CIRCULATING PUMP ECP25-6-130 SERIES

Performance Curve



Note: 1 (one) coupling connector kit is supplied in the package.

Fluid Temperature : From -10°C to +110°C

Fluid Quality : Suitable for use with clean, abrasive solid particle free, mild and chemically neutral water.

Material Specifications

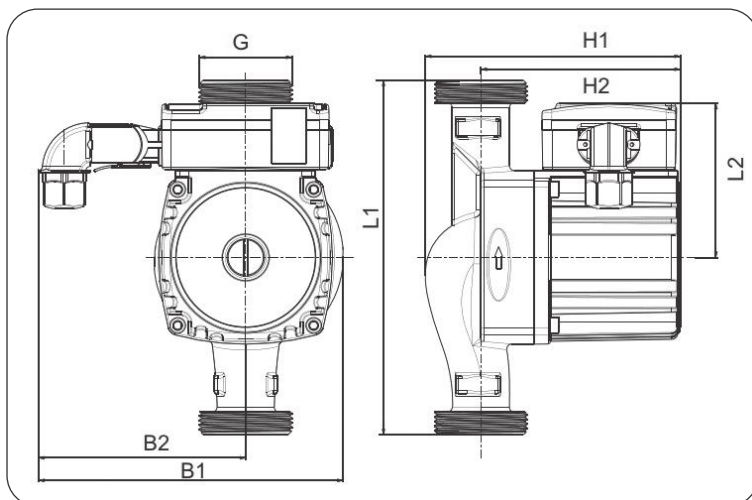
Bearing	: Ceramic
Bearing Bush	: Brass
Motor Casing	: Aluminum
Gasket	: Silicagel EPDM
Pump Casing	: Cast iron
Fan (Impeller)	: Plastic
Stainless Case	: AISI304
Protective Shield	: AISI304
Shaft	: Ceramic
Control Box	: Nylon + ABS

Pump Properties

Distance Between Couplings	: 130 mm
Electrical Connection	: Plug
Energy Efficiency (EEI) Value	: <= 0,23
Nominal Pressure	: PN 10
Pipe Connection	: Threaded Connection / G1 1/2-Rp1

Electrical Properties

Electrical Supply	: 230 V - 50 Hz Single-phase
Protection Class	: IP 44
Noise Levels	: <= 45 dB(A)
Current Rating	: 0.38A



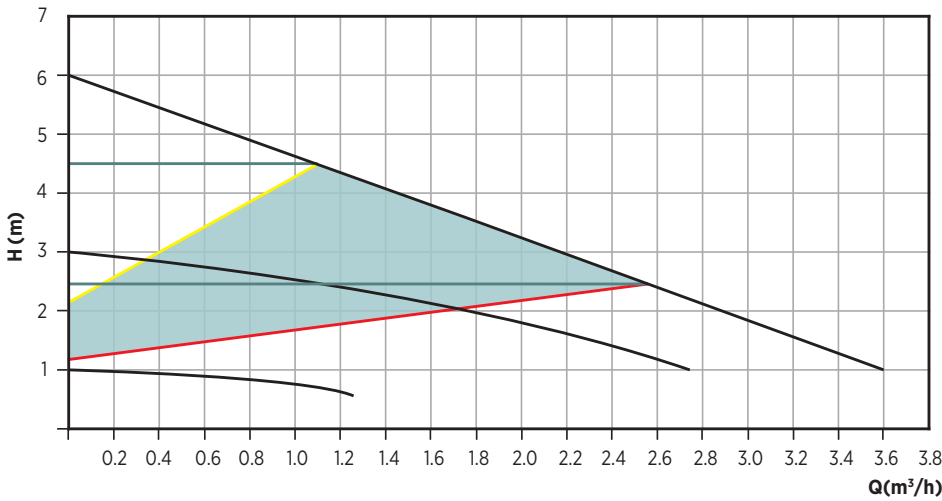
Measures

B1	: 155 mm
B2	: 105 mm
H1	: 129 mm
H2	: 101 mm
L1	: 130 mm
L2	: 80 mm
G	: 1 1/2"
Net Weight	: 2.3 kg

FREQUENCY CONTROLLED CIRCULATING PUMP ECP25-6-180 SERIES



Performance Curve



Note: 1 (one) coupling connector kit is supplied in the package.

Fluid Temperature : From -10°C to +110°C

Fluid Quality : Suitable for use with clean, abrasive solid particle free, mild and chemically neutral water.

Material Specifications

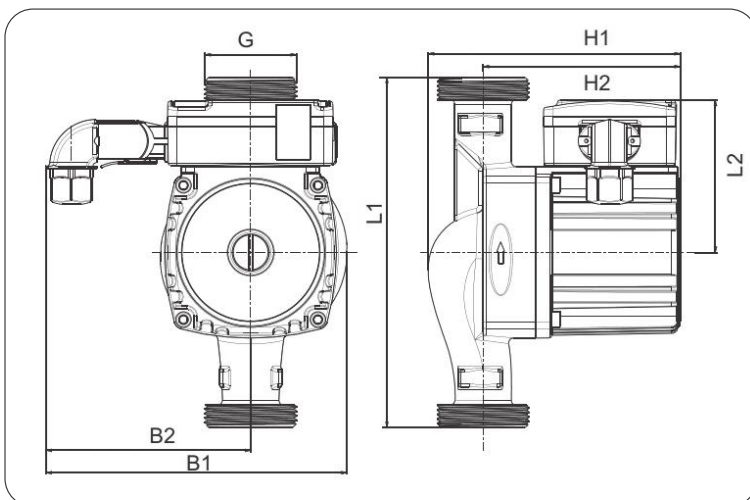
Bearing	: Ceramic
Bearing Bush	: Brass
Motor Casing	: Aluminum
Gasket	: Silicagel EPDM
Pump Casing	: Cast iron
Fan (Impeller)	: Plastic
Stainless Case	: AISI304
Protective Shield	: AISI304
Shaft	: Ceramic
Control Box	: Nylon + ABS

Pump Properties

Distance Between Couplings	: 180 mm
Electrical Connection	: Plug
Energy Efficiency (EEI) Value	: <= 0,23
Nominal Pressure	: PN 10
Pipe Connection	: Threaded Connection / G1 1/2-Rp1

Electrical Properties

Electrical Supply	: 230 V - 50 Hz Single-phase
Protection Class	: IP 44
Noise Levels	: <= 45 dB(A)
Current Rating	: 0.38A

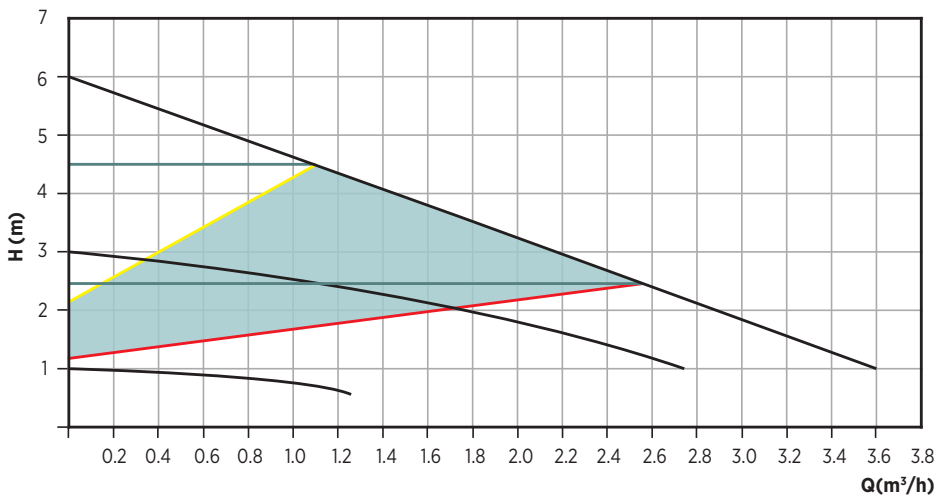


Measures

B1	: 155 mm
B2	: 105 mm
H1	: 129 mm
H2	: 101 mm
L1	: 180 mm
L2	: 80 mm
G	: 1 1/2"
Net Weight	: 2.3 kg

FREQUENCY CONTROLLED CIRCULATING PUMP ECP25-6-180 BRONZE SERIES

Performance Curve



Note: 1 (one) coupling connector kit is supplied in the package.

Fluid Temperature : From -10°C to +110°C

Fluid Quality : Suitable for use with clean, abrasive solid particle free, mild and chemically neutral water.

Material Specifications

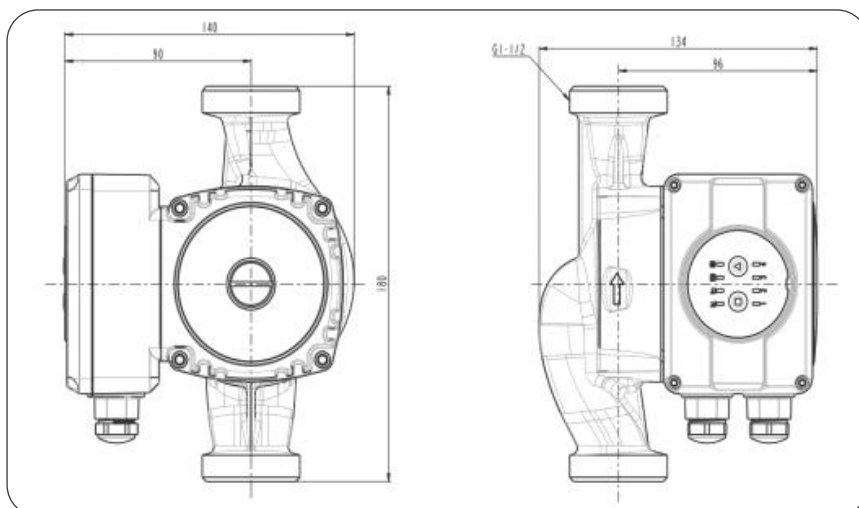
Bearing	: Ceramic
Bearing Bush	: Brass
Motor Casing	: Aluminum
Gasket	: Silicagel EPDM
Pump Casing	: Bronze
Fan (Impeller)	: Plastic
Stainless Case	: AISI304
Protective Shield	: AISI304
Shaft	: Ceramic
Control Box	: Nylon + ABS

Pump Properties

Distance Between Couplings	: 180 mm
Electrical Connection	: Plug
Energy Efficiency (EEI) Value	: <= 0,23
Nominal Pressure	: PN 10
Pipe Connection	: Threaded Connection / G1 1/2-Rp1

Electrical Properties

Electrical Supply	: 230 V - 50 Hz Single-phase
Protection Class	: IP 44
Noise Levels	: <= 45 dB(A)
Current Rating	: 0.38A



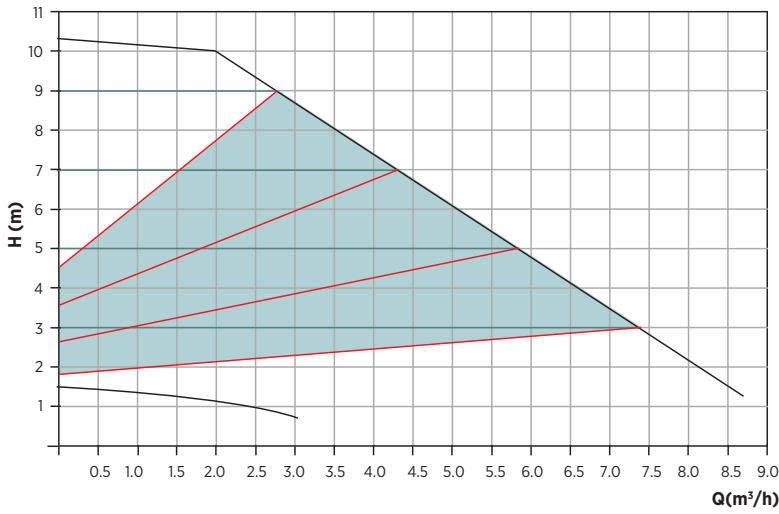
Measures

B1	: 140 mm
B2	: 90 mm
H1	: 134 mm
H2	: 96 mm
L1	: 180 mm
L2	: 90 mm
G	: G1 1/2"
Net Weight	: 2.3 kg

FREQUENCY CONTROLLED CIRCULATING PUMP ECP32-10-180 & ECP25-10-180 SERIES



Performance Curve



Note: 1 (one) coupling connector kit is supplied in the package.

Fluid Temperature : From -10°C to +110°C

Fluid Quality : Suitable for use with clean, abrasive solid particle free, mild and chemically neutral water.

Material Specifications

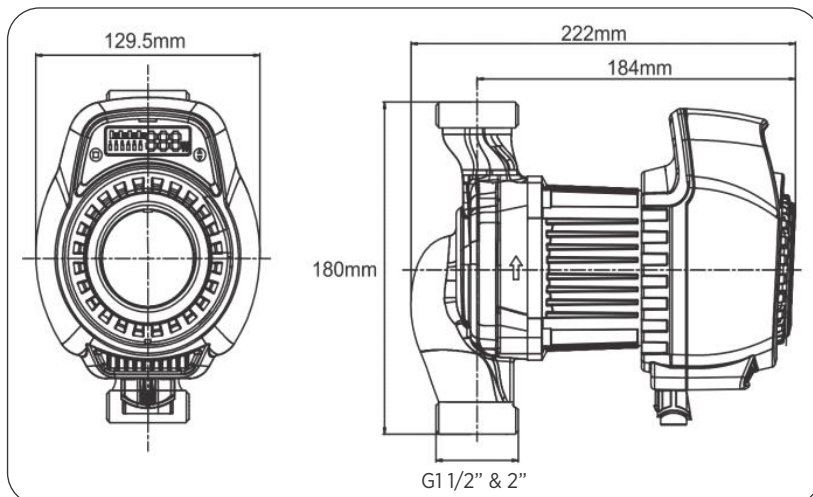
Bearing	: Ceramic
Bearing Bush	: Brass
Motor Casing	: Aluminum
Gasket	: Silicagel EPDM
Pump Casing	: Cast iron
Fan (Impeller)	: Plastic
Stainless Case	: AISI304
Protective Shield	: AISI304
Shaft	: Ceramic
Control Box	: Nylon + ABS

Pump Properties

Distance Between Couplings	: 180 mm
Electrical Connection	: Plug
Energy Efficiency (EEI) Value	: <= 0,23
Nominal Pressure	: PN 10
Pipe Connection	: Threaded Connection / G1 1/2-Rp1

Electrical Properties

Electrical Supply	: 230 V - 50 Hz Single-phase
Protection Class	: IP 44
Noise Levels	: <= 45 dB(A)
Current Rating	: 0.38A

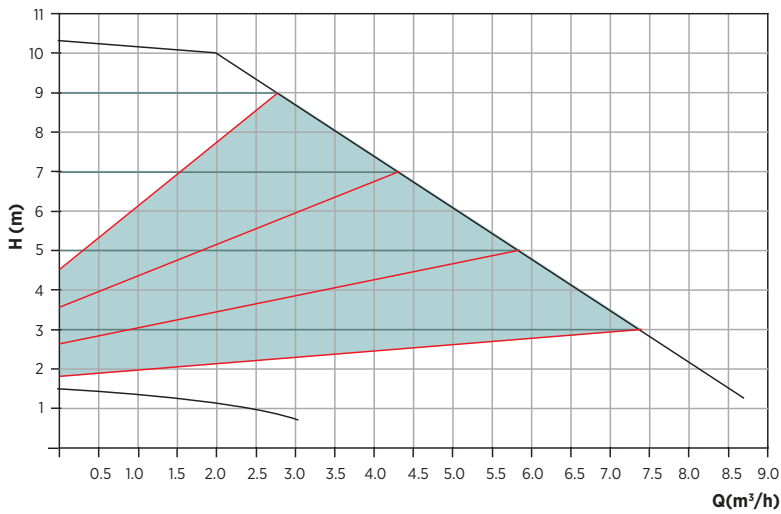


Measures

B1	: 129.5 mm
H1	: 220 mm
H2	: 184 mm
L1	: 180 mm
G	: G1 1/2" & 2"
Net Weight	: 3.4 kg

FREQUENCY CONTROLLED CIRCULATING PUMP ECP32-10-180 BRONZE SERIES

Performance Curve



Note: 1 (one) coupling connector kit is supplied in the package.

Fluid Temperature : From -10°C to +110°C

Fluid Quality : Suitable for use with clean, abrasive solid particle free, mild and chemically neutral water.

Material Specifications

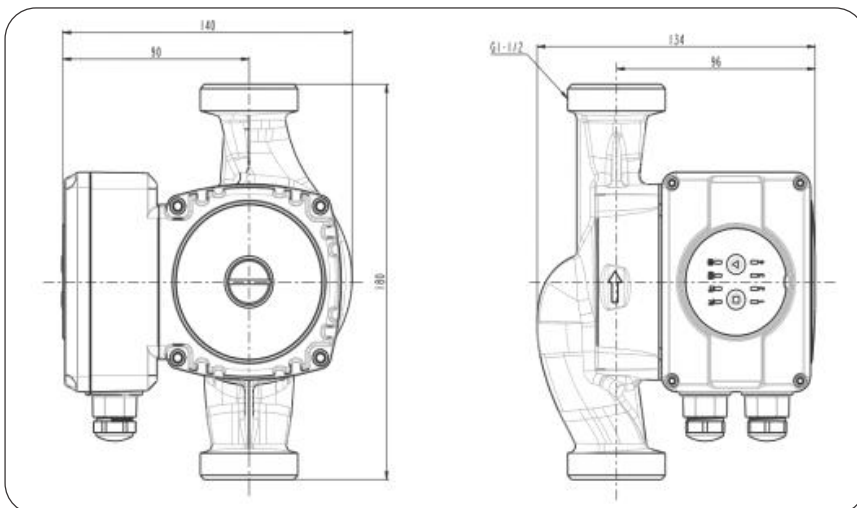
Bearing	: Ceramic
Bearing Bush	: Brass
Motor Casing	: Aluminum
Gasket	: Silicagel EPDM
Pump Casing	: Bronze
Fan (Impeller)	: Plastic
Stainless Case	: AISI304
Protective Shield	: AISI304
Shaft	: Ceramic
Control Box	: Nylon + ABS

Pump Properties

Distance Between Couplings	: 180 mm
Electrical Connection	: Plug
Energy Efficiency (EEI) Value	: <= 0,23
Nominal Pressure	: PN 10
Pipe Connection	: Threaded Connection / G1 1/2-Rp1

Electrical Properties

Electrical Supply	: 230 V - 50 Hz Single-phase
Protection Class	: IP 44
Noise Levels	: <= 45 dB(A)
Current Rating	: 0.38A



Measures

B1	: 140 mm
B2	: 90 mm
H1	: 134 mm
H2	: 96 mm
L1	: 180 mm
L2	: 90 mm
G	: G1 1/2"
Net Weight	: 2.3 kg



Product Service

Attestation of Conformity

No. D6 108819 0002 Rev. 00

Holder of Attestation: **ALP Pompa Teknolojileri Tic. San. A.S.**
Dudullu OSB 2.Cadde No:14
34775 Umraniye Istanbul
TURKEY

Product: **Circulation pump**
Circulation water pump

Model(s): **ECP25-6-130, ECP25-6-180**


Parameters: Rated voltage: 220-240VAC
Rated frequency: 50Hz
Rated input power: 45W
Protection class: I
Degree of protection: IP 44
Rated Head: 3.8 m
Rated Flow: 2.0 m³/h
Declared EEI: ≤ 0.2
Implementation Measure EC Regulation
No 641/2009: 2009-07-22 amended by
(EU) 622/2012:2012-07-11, (EU) 2016/2282: 2016-11-30,
(EU) 2019/1781:2019-10-01
Stage 2 (2015-08-01)

Tested according to: PPP 11093E:2019
EN 16297-1:2012
EN 16297-2:2012
EN 16297-3:2012

This Attestation of Conformity is issued on a voluntary basis and confirms that the listed product fulfils the generic ecodesign requirements as stated in Annex I in combination with the specific ecodesign requirements defined in the above mentioned Implementation Measure and as stated in Annex II of Council Directive 2009/125/EC for the setting of ecodesign requirements for energy-related products. This attestation refers only to the sample submitted to TÜV SÜD PRODUCT SERVICE GMBH for testing and evaluation and to its technical documentation. For details see: www.tuvsud.com/ps-cert

Test report no.: 701282011002-00

Date, 2020-07-16


(Lucy Lu)

ECP25-10-180 SERIES CE CERTIFICATION

ZERTIFIKAT ◆ CERTIFICATE ◆ 認證證書 ◆ CERTIFICADO ◆ CERTIFICAT



Product Service

Attestation of Conformity

No. D6 108819 0003 Rev. 00

Holder of Attestation: **ALP Pompa Teknolojileri Tic. San. A.S.**
Dudullu OSB 2.Cadde No:14
34775 Umraniye Istanbul
TURKEY

Product: **Circulation pump**
Circulation water pump

Model(s): **ECP25-10-180**

Parameters: Rated voltage: 220-240VAC
Rated frequency: 50Hz
Rated input power: 180W
Protection class: I
Degree of protection: IP 44
Rated Head: 6.7 m
Rated Flow: 4.7 m³/h
Declared EEI: ≤ 0.23
Implementation Measure EC Regulation
No 641/2009:2009-07-22 amended by
(EU) 622/2012:2012-07-11, (EU) 2016/2282:2016-11-30,
(EU) 2019/1781:2019-10-01
Stage 2 (2015-08-01)

Tested according to: PPP 11093E:2019
EN 16297-1:2012
EN 16297-2:2012
EN 16297-3:2012

This Attestation of Conformity is issued on a voluntary basis and confirms that the listed product fulfils the generic ecodesign requirements as stated in Annex I in combination with the specific ecodesign requirements defined in the above mentioned Implementation Measure and as stated in Annex II of Council Directive 2009/125/EC for the setting of ecodesign requirements for energy-related products. This attestation refers only to the sample submitted to TÜV SÜD PRODUCT SERVICE GMBH for testing and evaluation and to its technical documentation. For details see: www.tuvsud.com/ps-cert

Test report no.: 701282011003-00

Date, 2020-08-24

(Lucy Lu)



Product Service

Attestation of Conformity

No. D6 108819 0001 Rev. 00

Holder of Attestation: **ALP Pompa Teknolojileri Tic. San. A.S.**
Dudullu OSB 2.Cadde No:14
34775 Umraniye Istanbul
TURKEY

Product: **Circulation pump**
Circulation water pump

Model(s): **ECP32-10-180**

Parameters:

Rated voltage:	220-240VAC
Rated frequency:	50Hz
Rated input power:	180W
Protection class:	I
Degree of protection:	IP 44
Rated Head:	6.6 m
Rated Flow:	5.1 m ³ /h
Declared EEI:	≤ 0.23
Implementation Measure EC Regulation No 641/2009: 2009-07-22 amended by (EU) 622/2012:2012-07-11, (EU) 2016/2282: 2016-11-30, (EU) 2019/1781:2019-10-01 Stage 2 (2015-08-01)	

Tested according to: PPP 11093E:2019
EN 16297-1:2012
EN 16297-2:2012
EN 16297-3:2012

This Attestation of Conformity is issued on a voluntary basis and confirms that the listed product fulfils the generic ecodesign requirements as stated in Annex I in combination with the specific ecodesign requirements defined in the above mentioned Implementation Measure and as stated in Annex II of Council Directive 2009/125/EC for the setting of ecodesign requirements for energy-related products. This attestation refers only to the sample submitted to TÜV SÜD PRODUCT SERVICE GMBH for testing and evaluation and to its technical documentation. For details see: www.tuvsud.com/ps-cert

Test report no.: 701282011001-00

Date, 2020-07-16

(Lucy Lu)



Dudullu Organize Sanayi Bölgesi 2. Cadde No: 14
34775 Ümraniye İstanbul / Turkey
Tel : +90 216 561 47 74 (Pbx) • Fax : +90 216 561 47 50
www.etna.com.tr/en • info@etna.com.tr



ETNA®

0850 455 38 62
customer service