



**Vertical Multistage Pumps**



## EVS Series

High quality pumps with compact construction and high efficiency with AISI304 grade stainless steel on all water contact surfaces. Features in-line (on the same axis) inlet-outlet connections.

### Fields of Use

- Pressurized water supply in residential and commercial buildings
- Garden irrigation systems
- Agricultural irrigation systems.
- Industrial applications
- Water treatment systems
- Clean water transfer

### Pump Specifications

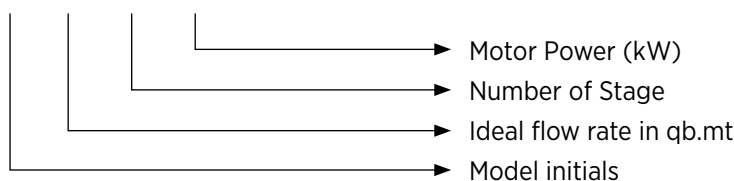
- Pump Body : AISI 304 Stainless Steel
- Impeller & Diffuser : AISI 304 Stainless Steel
- Pump Shaft : AISI 420 Stainless Steel
- Mechanical Seal : Carbon / Ceramic / EPDM

### Technical Specifications

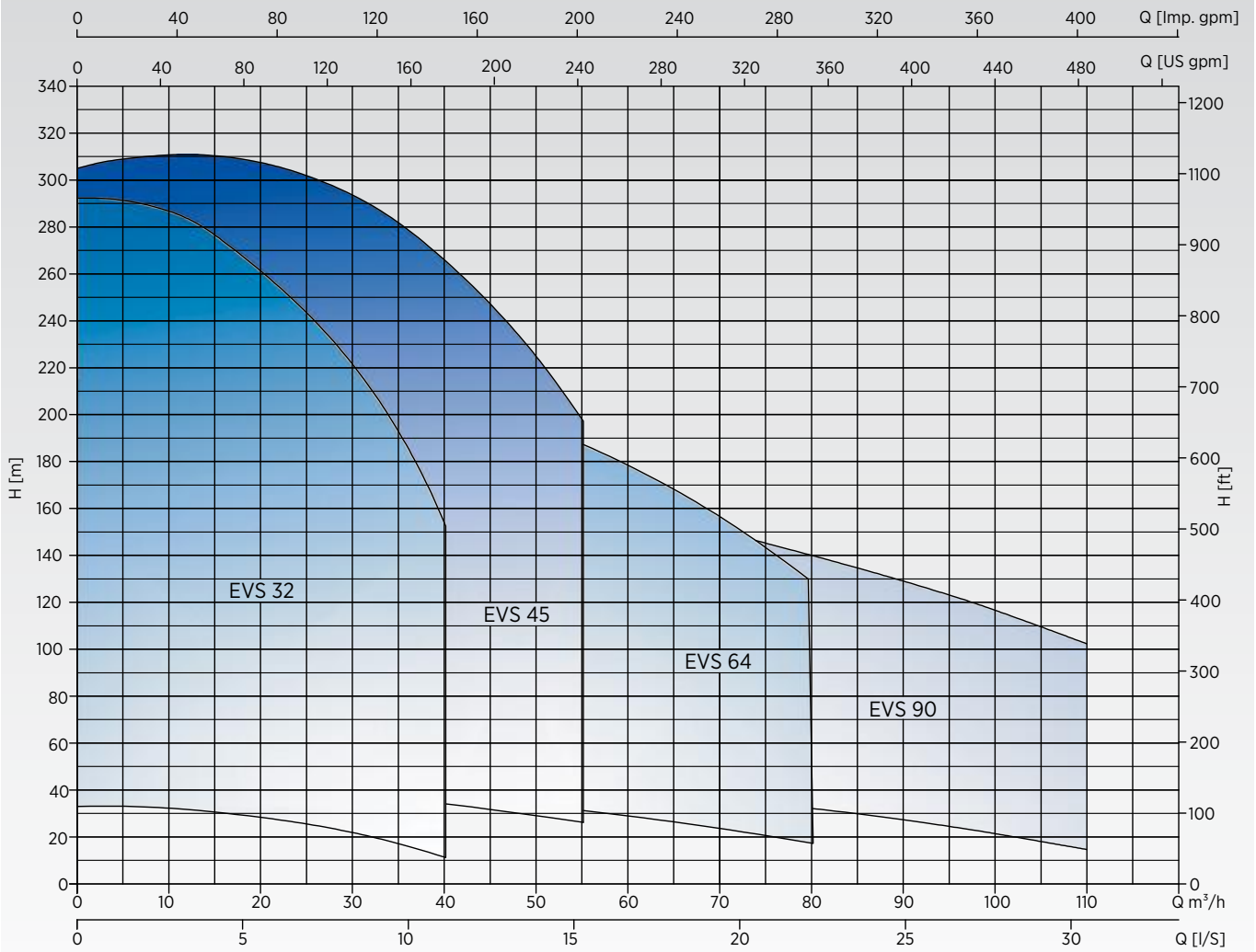
- Maximum Flow : 110 m<sup>3</sup>/h
- Maximum Pressure : 310 mwc
- Inlet-Outlet Diameter : DN80 & DN100
- Pressure Class : PN32
- Max. Ambient Temperature : 40°C
- Fluid Temperature : 0 - 100°C
- Fluid Property : Clean, solid particle-free, chemically neutral water
- Motor Speed : 2900 rpm
- Network Connection : 3\*380V - 50 Hz
- Motor Power : 4 - 45 kW
- Protection Class : IP55
- Insulation Class : F

## Identification Code

**EVS 32 / 8 / 15**

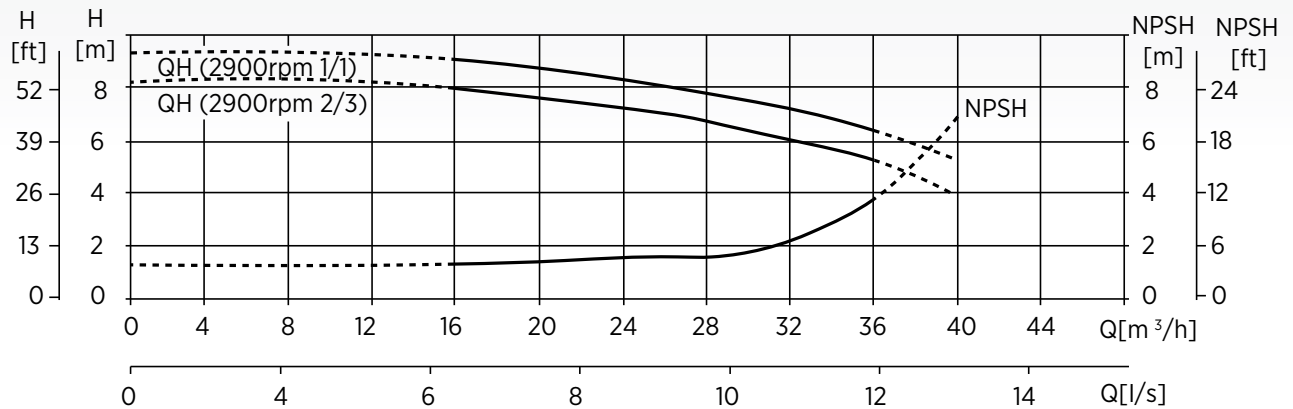
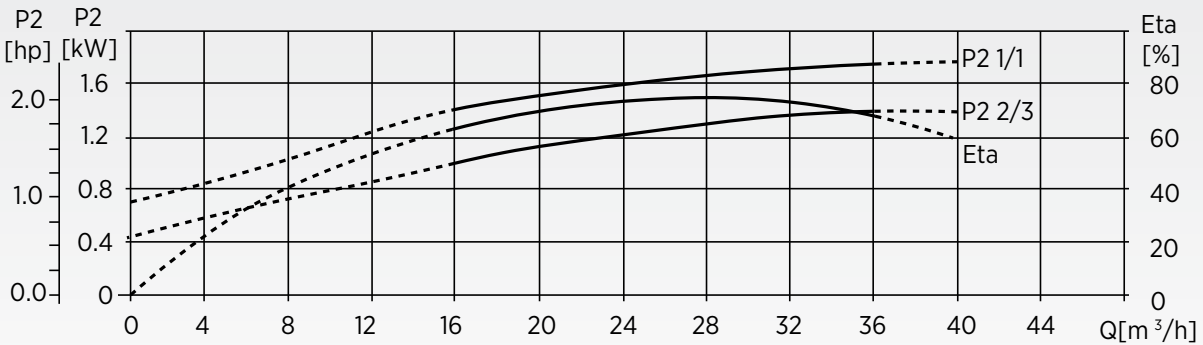
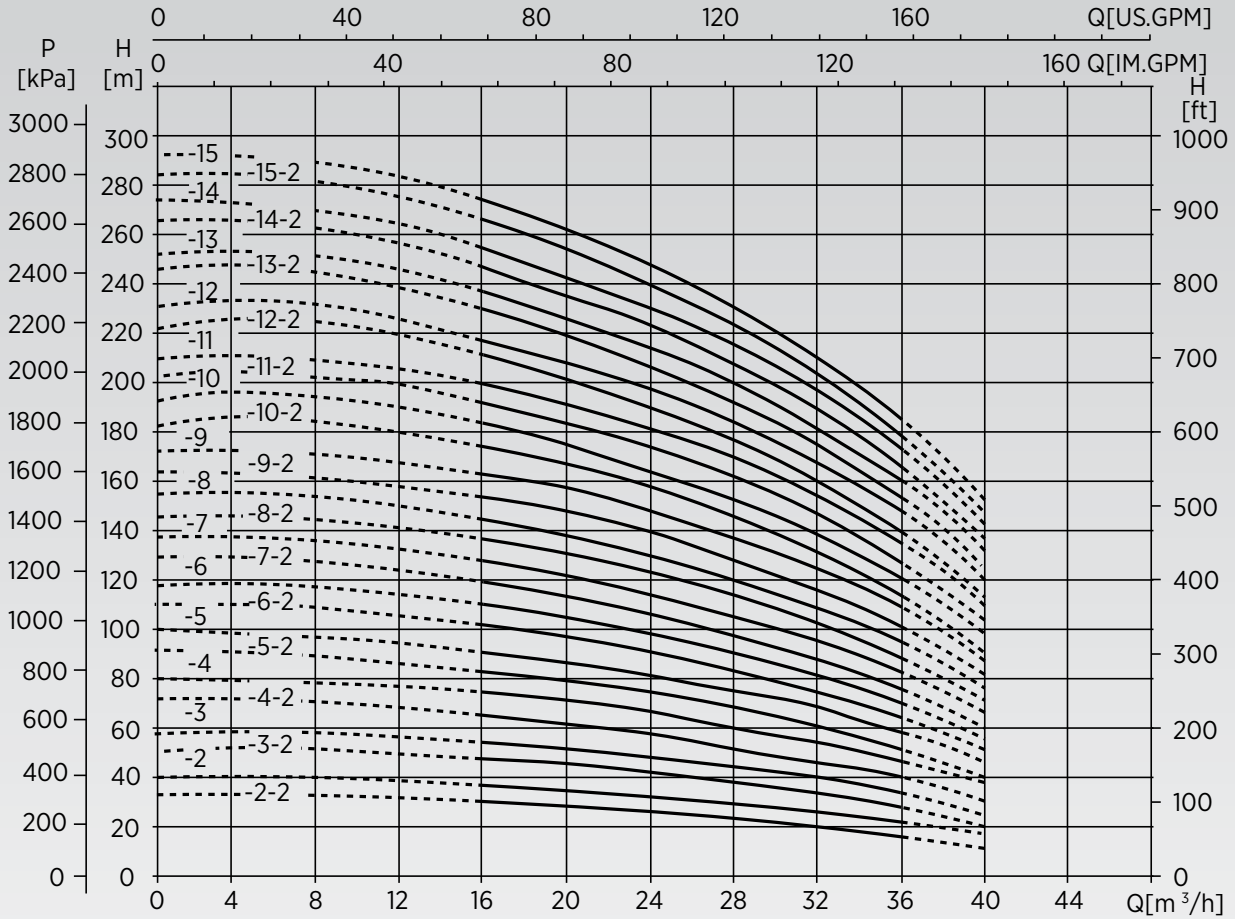


# EVS Series Family Curves



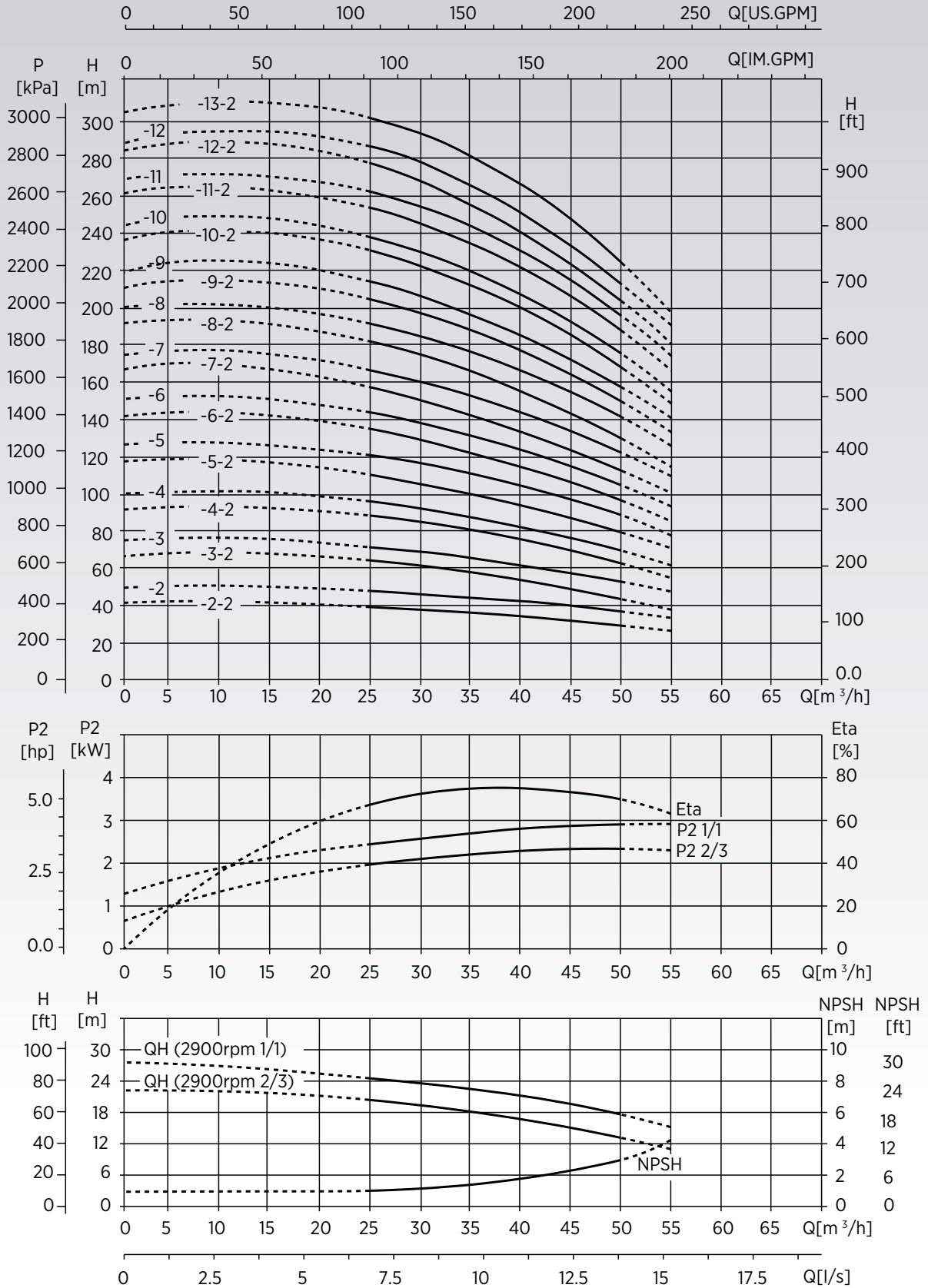


**EVS 32 Series**



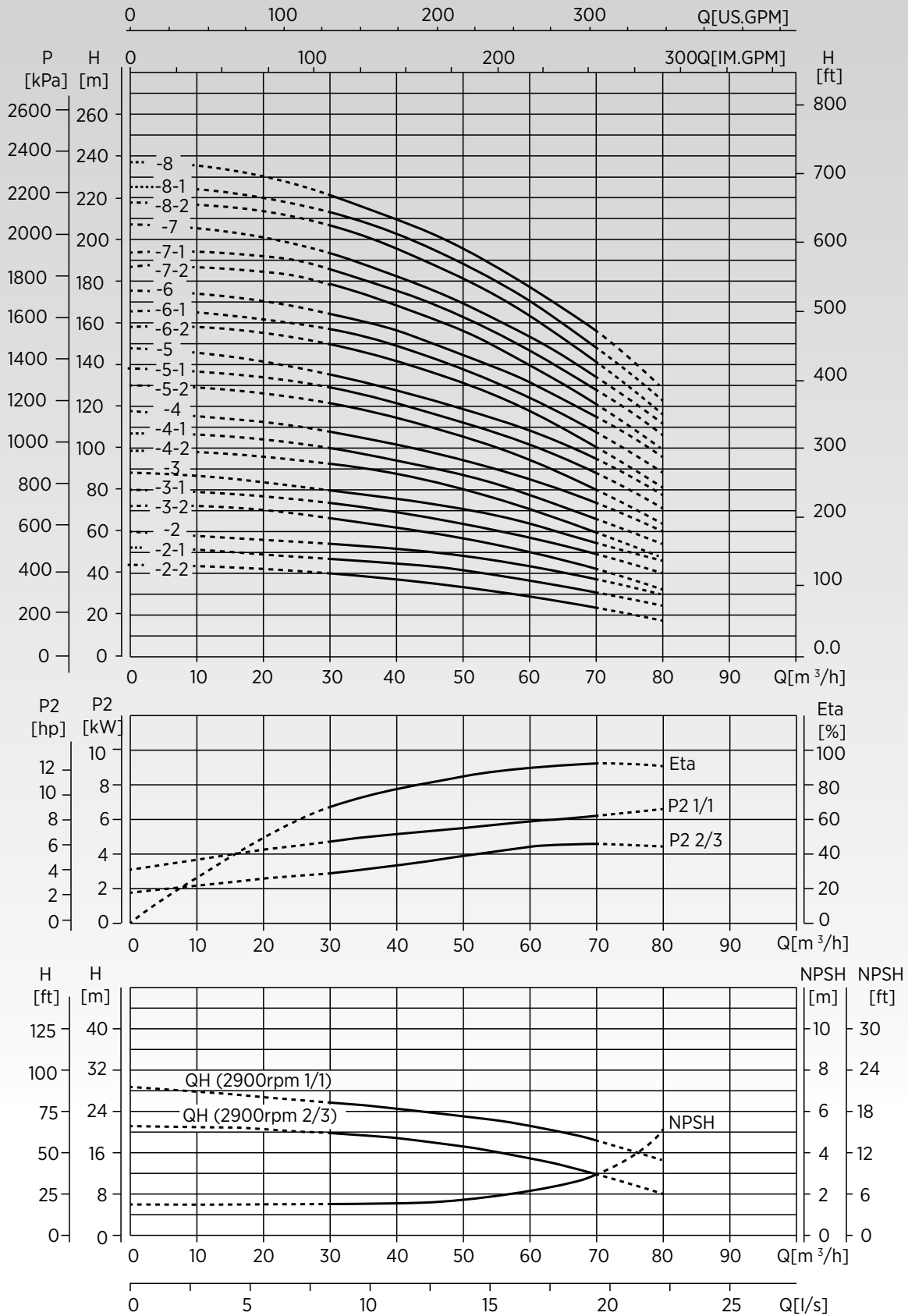
# EVS Series Performance Curves

## EVS 45 Series



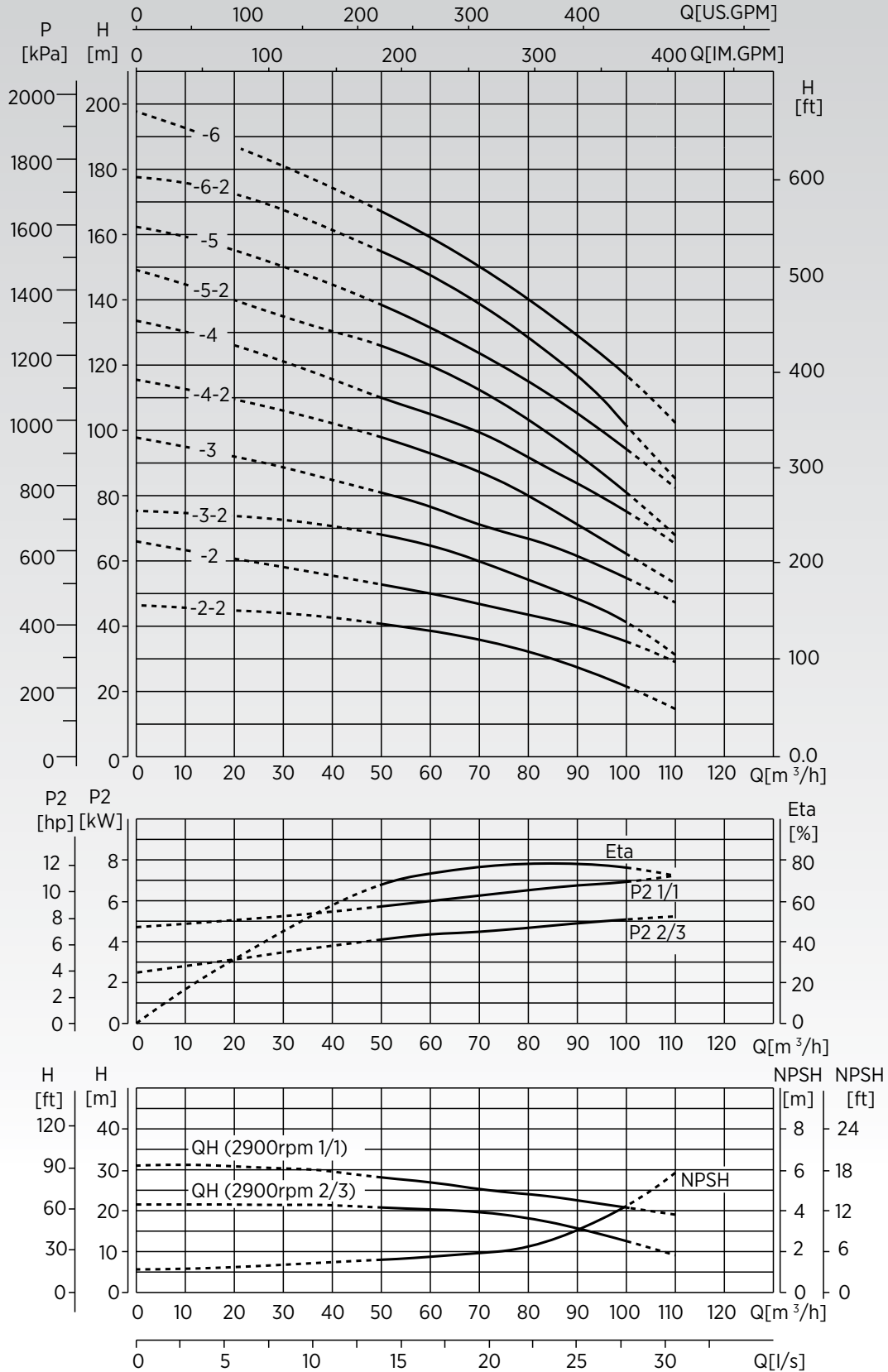


**EVS 64 Series**

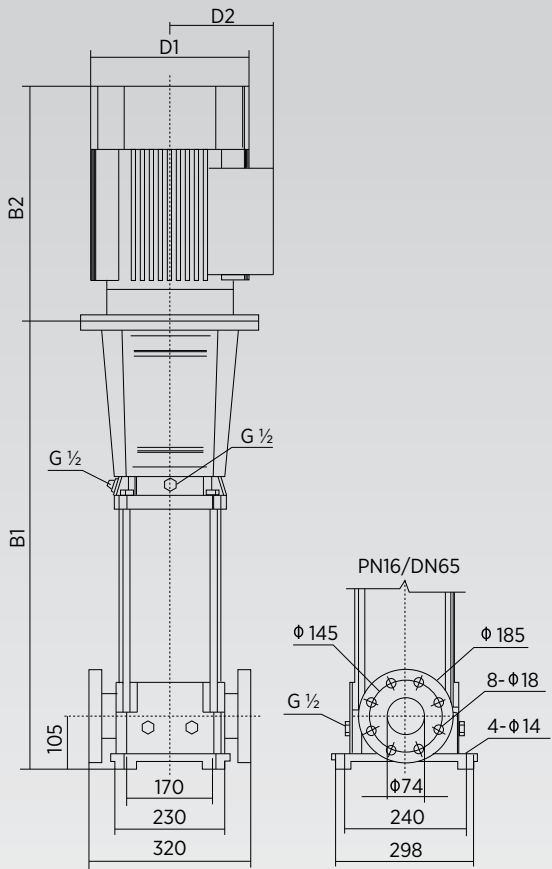


# EVS Series Performance Curves

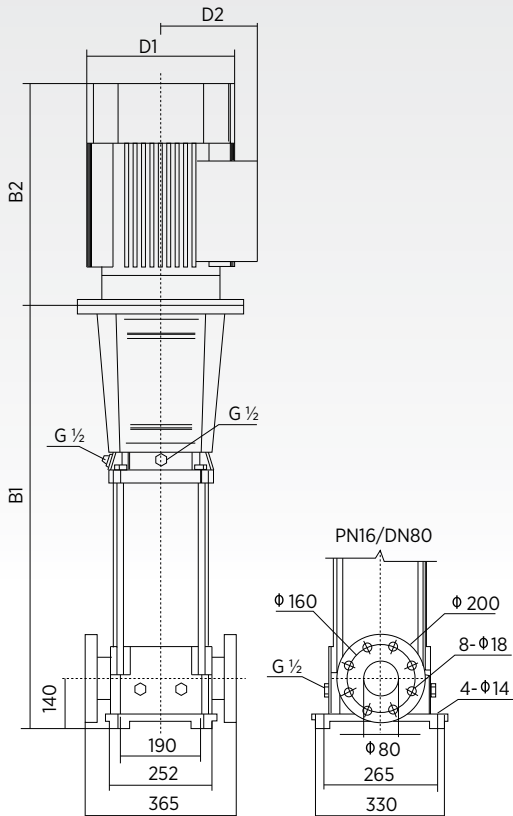
## EVS 90 Series







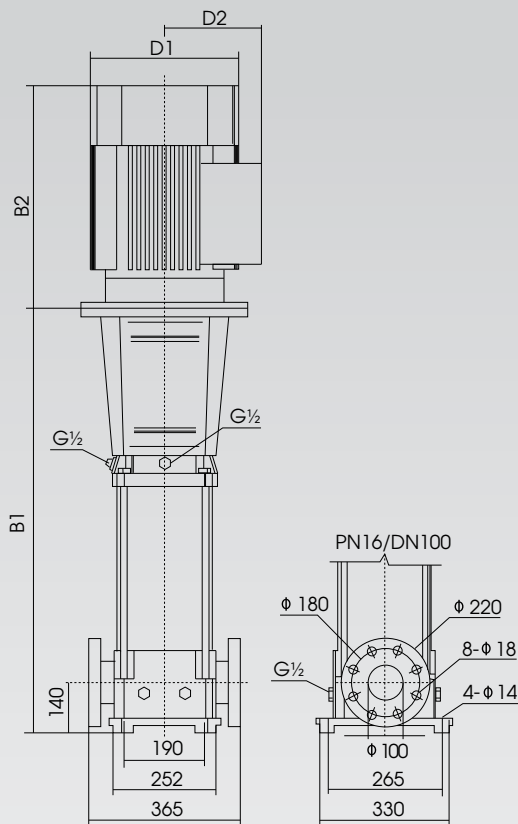
TYPE	DIMENSIONS (mm)					NET WEIGHT (kg)
	B1	B2	B1+B2	D1	D2	
EVS 32-2-2	634	325	959	191	140	74/78
EVS 32-2	634	355	989	212	163	81/85
EVS 32-3-2	724	395	1119	258	163	100/104
EVS 32-3	724	395	1119	258	163	100/104
EVS 32-4-2	794	395	1189	258	163	106/110
EVS 32-4	794	395	1189	258	163	106/110
EVS 32-5-2	894	498	1392	315	251	185/189
EVS 32-5	894	498	1392	315	251	185/189
EVS 32-6-2	964	498	1462	315	251	189/193
EVS 32-6	964	498	1462	315	251	189/193
EVS 32-7-2	1034	498	1532	315	251	203/207
EVS 32-7	1034	498	1532	315	251	203/207
EVS 32-8-2	1104	498	1602	315	251	207/211
EVS 32-8	1104	498	1602	315	251	207/211
EVS 32-9-2	1174	542	1716	315	251	228/232
EVS 32-9	1174	542	1716	315	251	228/232
EVS 32-10-2	1244	542	1786	315	251	232/236
EVS 32-10	1244	542	1786	315	251	232/236
EVS 32-11-2	1314	578	1892	355	267	278/282
EVS 32-11	1314	578	1892	355	267	278/282
EVS 32-12-2	1384	578	1962	355	267	281/286
EVS 32-12	1384	578	1962	355	267	281/286
EVS 32-13-2	1454	669	2123	397	299	361/365
EVS 32-13	1454	669	2123	397	299	361/365
EVS 32-14-2	1524	669	2193	397	299	364/369
EVS 32-14	1524	669	2193	397	299	364/369
EVS 32-15-2	1594	669	2263	397	299	368/373
EVS 32-15	1594	669	2263	397	299	368/373



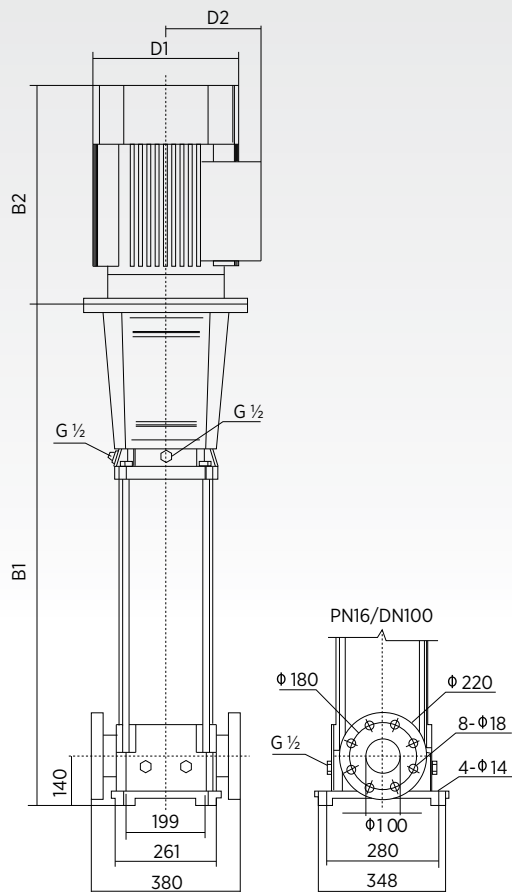
TYPE	DIMENSIONS (mm)					NET WEIGHT (kg)
	B1	B2	B1+B2	D1	D2	
EVS 45-2-2	716	395	1111	258	163	109/117
EVS 45-2	716	395	1111	258	163	113/121
EVS 45-3-2	826	498	1324	315	251	190/197
EVS 45-3	826	498	1324	315	251	190/197
EVS 45-4-2	906	498	1404	315	251	204/211
EVS 45-4	906	498	1404	315	251	204/211
EVS 45-5-2	986	542	1528	315	251	225/233
EVS 45-5	986	542	1528	315	251	225/233
EVS 45-6-2	1066	578	1644	355	267	272/279
EVS 45-6	1066	578	1644	355	267	272/279
EVS 45-7-2	1146	669	1815	397	299	351/359
EVS 45-7	1146	669	1815	397	299	354/361
EVS 45-8-2	1226	669	1895	397	299	351/359
EVS 45-8	1226	669	1895	397	299	354/361
EVS 45-9-2	1306	669	1975	397	299	380/388
EVS 45-9	1386	669	2055	397	299	358/366
EVS 45-10-2	1386	669	2055	397	299	385/392
EVS 45-10	1466	669	2135	446	299	385/392
EVS 45-11-2	1466	709	2175	446	322	450/457
EVS 45-11	1546	709	2255	446	322	450/457
EVS 45-12-2	1546	709	2255	446	322	454/462
EVS 45-12	1626	709	2335	446	322	454/462
EVS 45-13-2	1626	709	2335	446	322	458/465



# EVS Series Dimensions and Weights



TYPE	DIMENSIONS (mm)					NET WEIGHT (kg)
	B1	B2	B1+B2	D1	D2	
EVS 64-2-2	685	390	1075	259	203	133/141
EVS 64-2-1	715	498	1213	314	251	197/204
EVS 64-2	715	498	1213	314	251	197/204
EVS 64-3-2	825	498	1323	314	251	197/204
EVS 64-3-1	825	498	1323	314	251	210/218
EVS 64-3	825	542	1367	314	251	228/235
EVS 64-4-2	905	542	1447	314	251	231/238
EVS 64-4-1	905	578	1483	355	267	274/282
EVS 64-4	905	578	1483	355	267	274/282
EVS 64-5-2	985	669	1653	397	299	354/361
EVS 64-5-1	985	669	1653	397	299	354/361
EVS 64-5	985	669	1653	397	299	354/361
EVS 64-6-2	1065	669	1734	397	299	358/366
EVS 64-6-1	1065	669	1734	397	299	380/388
EVS 64-6	1065	669	1734	397	299	380/388
EVS 64-7-2	1145	669	1814	397	299	386/394
EVS 64-7-1	1145	669	1814	397	299	386/394
EVS 64-7	1145	709	1864	446	322	445/453
EVS 64-8-2	1225	709	1934	446	322	450/457
EVS 64-8-1	1225	709	1934	446	322	450/457
EVS 64-8	1225	709	1934	446	322	450/457



TYPE	DIMENSIONS (mm)					NET WEIGHT (kg)
	B1	B2	B1+B2	D1	D2	
EVS 90-2-2	771	498	1269	314	251	196/204
EVS 90-2	771	498	1269	314	251	207/214
EVS 90-3-2	863	542	1405	314	251	227/235
EVS 90-3	863	578	1441	355	267	269/277
EVS 90-4,2	955	669	1624	397	299	341/349
EVS 90-4	955	669	1624	397	299	341/349
EVS 90-5-2	1047	669	1716	397	299	376/383
EVS 90-5	1047	669	1716	397	299	376/383
EVS 90-6-2	1139	709	1848	446	322	439/447
EVS 90-6	1139	709	1848	446	322	439/447



Dudullu Organize Sanayi Bölgesi 2. Cadde No: 14  
34775 Ümraniye İstanbul / Turkey  
Tel : +90 216 561 47 74 (Pbx) • Fax : +90 216 561 47 50  
[www.etna.com.tr/en](http://www.etna.com.tr/en) • [info@etna.com.tr](mailto:info@etna.com.tr)



**ETNA®**